

FEUERWASSER

# Outdoor-Shower by Feuerwasser

User manual  
**English**



OWN THE WILD  
[feuerwasser.co](http://feuerwasser.co)

Feuerwasser would like to thank you for choosing our garden Outdoor-Shower!

**Enjoy playing with fire and water!**

## Contents of the operating instructions

1. GENERAL INFORMATION .....	2
<b>A) SCOPE OF DELIVERY FOR STANDARD EQUIPMENT</b> .....	2
<b>B) POSSIBLE ADDITIONAL EQUIPMENT</b> .....	2
<b>C) WHAT DO YOU NEED FOR ASSEMBLY?</b> .....	2
<b>D) INTENDED USE</b> .....	3
2. WARNINGS & SAFETY INSTRUCTIONS .....	3
3. TECHNICAL DATA & PRODUCT DESCRIPTION .....	5
<b>A) TECHNICAL DATA</b> .....	5
<b>B) PRODUCT DESCRIPTION</b> .....	6
4. ASSEMBLY USING THE STAND BRACKET .....	8
5. USER MANUAL .....	9
6. SAFETY MEASURES .....	10
7. MAINTENANCE .....	10
8. NOTES, WARRANTY & LIABILITY .....	11
<b>A) NOTES</b> .....	11
<b>B) WARRANTY</b> .....	12
<b>C) LIABILITY</b> .....	12

## 1. General information

This operating manual provides information on safety instructions, functionality and maintenance of the Feuerwasser Outdoor-Shower, among other things. Please read it carefully and keep it in a safe place.

If you have any questions, please contact us directly:

### **Feuerwasser**

Garanaser Straße 6

8541 Bad Schwanberg

**Tel.:** +43 677/63 43 52 75

**E-Mail:** [info@feuerwasser.co](mailto:info@feuerwasser.co)

Feuerwasser reserves the right to change the construction, design, functionality or accessories without prior notice in order to improve the technical standard or quality of the products.

### **A) Scope of delivery for standard equipment**

Feuerwasser Outdoor-Shower consisting of

Wood-fired instantaneous water heater

Base

Exhaust pipe

Base mount

1 x Allen screw (M8)

3 x Hub screw (M8)

2 x Allen screw (M3)

4 x Concrete anchor (M8)

Outdoor-Shower head

Outdoor-Shower hose

Oven grate

### **B) Possible additional equipment**

Stand for base plates

For further accessories, please visit our online shop: [www.feuerwasser.co](http://www.feuerwasser.co)

### **C) What do you need for assembly?**

Cardboard or similar material as a base

Allen key

Flat-head screwdriver

## **D) Intended use**

The Feuerwasser product may only be used for its intended purpose! This includes compliance with the installation, operating and maintenance instructions prescribed by Feuerwasser. The manufacturer is not liable for any damage resulting from improper use or unauthorised modifications to Feuerwasser products. The risk is borne solely by the user.

## 2. Warnings & Safety Instructions

Please read and follow all warnings and safety instructions and pass them on to all other users.

Caution: the upper part of the wood-fired instantaneous water heater can reach a temperature of 95 °C.

Caution: hot water and steam come out of the discharge hose of the thermal safety valve. This happens every time the heated water in the instantaneous water heater reaches over 95 °C (see safety precautions, point 6).

Caution: there is a risk of slipping and falling, especially on wet surfaces. Be careful when using the Feuerwasser Outdoor-Shower.

The consumption of drugs or alcohol before or during firing and Outdoor-Showering with the Feuerwasser Outdoor-Shower is prohibited.

Outdoor-Showering is not permitted during storms and thunderstorms.

Only use original Feuerwasser parts, spare parts and accessories! Unauthorised modifications to the system are not permitted!

Carry out the installation in accordance with the installation instructions!

Only use the Feuerwasser Outdoor-Shower as described in the operating instructions!

When setting up the Outdoor-Shower, ensure that there is sufficient distance to combustible components and materials in the surrounding area!

Children and young people under the age of 16, persons with disabilities or other impairments (alcohol or drug consumption) are not permitted to light the stove.



Do not place any flammable objects near the stove, on or around the exhaust pipe!

Caution: when in use, all surfaces of the stove, especially the door, can become very hot! Make sure that anyone present, including children and animals, is aware of this and take care that no one burns themselves. It is best to use protective gloves or an auxiliary tool.

When lighting the stove or adding wood, make sure that you are not wearing any highly flammable items of clothing and that there are no such items lying near the stove door! Fire hazard! Do not modify the stove and please follow the operating instructions.

Caution: children are particularly sensitive to hot water. Therefore, pay special attention to lower water temperatures when Outdoor-Showering with children! Only allow children to use the firewater Outdoor-Shower under constant supervision. Caution: children can burn themselves!

### 3. Technical data & product description

#### **A) Technical data**

Dimensions // Height: 255 cm, width: 30 cm, depth: 55 cm

Internal dimensions of the combustion chamber: Diameter: 28 cm, depth: 40 cm

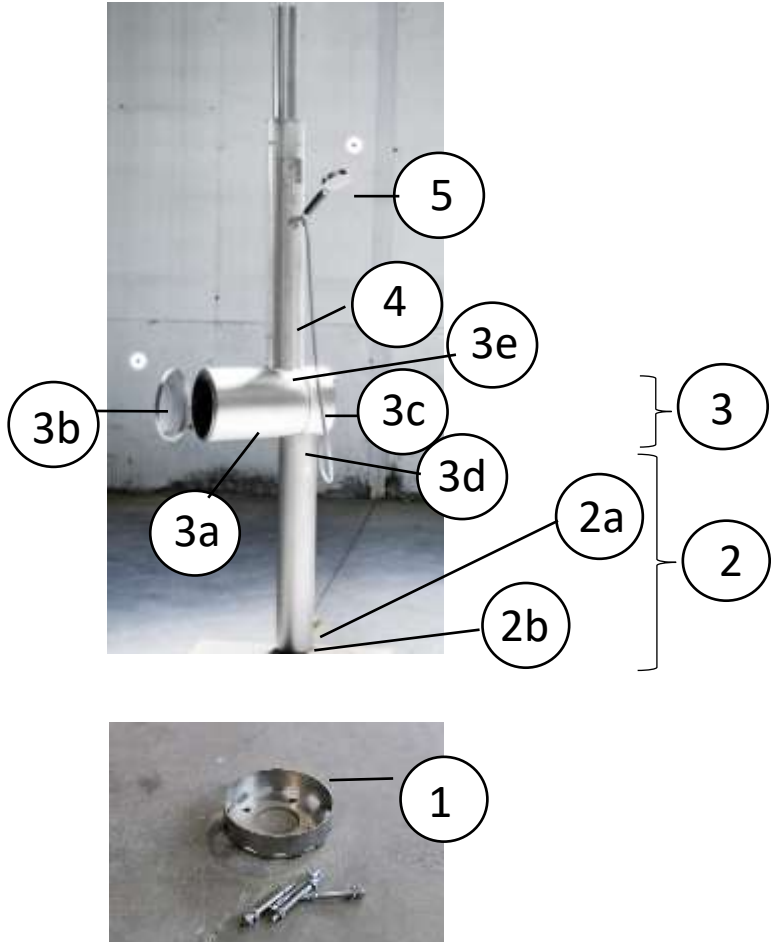
Filling capacity // 6.5 litre capacity (you can Outdoor-Shower for as long as new water is added)

Heating time // Approx. 3-5 minutes (until the desired temperature is reached)

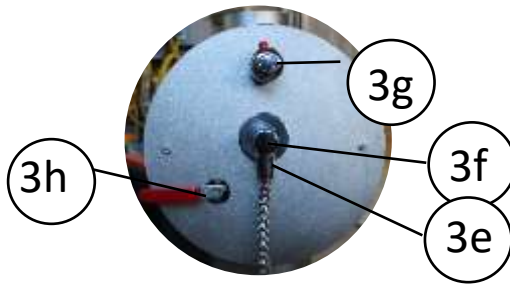
Material used // Stainless steel

## B) Product description

Outdoor-Shower, including stand mount



Detailed view of the installation area for the wood-fired instantaneous water heater



Nr.	
1	Base bracket for the floor with 4 x concrete anchors
2	Base
2a	Metal panel with click valve for water hose
2b	Cut-out for metal panel
3	Wood-fired instantaneous water heater
3a	Combustion chamber
3b	Oven door
3c	Installation area
3d	Connector for base
3e	Connector for exhaust pipe
4	Exhaust pipe
5	Outdoor-Shower head

Detailed view of the installation area for the wood-fired instantaneous water heater

3e	Outdoor-Shower head connection
3f	Service water valve
3g	Temperature mixing valve
3h	Red lever

## 4. Assembly using the stand bracket

1. Choose a stable location for your Outdoor-Shower, such as concrete or wooden flooring. When installing the Outdoor-Shower, ensure there is sufficient distance to combustible components and materials in the surrounding area! There should be at least 1 m of free space around the stove, and the exhaust pipe must remain unobstructed at the top so that any flying sparks can escape safely.
2. When installing the Outdoor-Shower, observe national and European standards, local and building regulations, and fire safety regulations.
3. Screw the base bracket (1) to the floor using the 4 concrete anchors supplied.
4. Place the base (2) over the base bracket on the floor and secure it with the three screws supplied.
5. Connecting the wood-fired instantaneous water heater and the stand
  - 5.1 Now insert the two hoses coming out of the wood-fired instantaneous water heater (3) into the stand (1).
  - 5.2 Place the instantaneous water heater (3) on the stand (2) so that the thread on the instantaneous water heater and the hole in the stand match and you can secure both with the Allen screw provided.
  - 5.3 Assembling the water connection
6. There is a cut-out in the stainless steel at the bottom of the stand of the Feuerwasser Outdoor-Shower (2b).
7. Insert the metal plate and hose (2a) through this cut-out at a slight angle.
8. Use the 2 M3 Phillips Allen screws to secure the plate to the stand.
9. Now insert the exhaust pipe (4) over the exhaust pipe connection (3e) of the wood-fired instantaneous water heater.
10. Now attach the hand Outdoor-Shower hose to the service water drain valve (3e + 3f) and secure the Outdoor-Shower head to the exhaust pipe bracket.
11. Place the stove grate in the combustion chamber (3b).

## 5. User manual

1. Take a garden hose and connect it to the bottom of the Outdoor-Shower (2a) using the click valve.
2. Turn on the water supply.
3. Open the valve with the red lever (3h) on the back of the wood-fired instantaneous water heater.
4. The Outdoor-Shower will now fill with water. As soon as water comes out from under the installation area, close the red lever again. The Outdoor-Shower and piping are now fully supplied with water and ready to be heated.
5. As long as you want to Outdoor-Shower or the fire is burning, the Outdoor-Shower must be supplied with water under pressure at all times – i.e. leave the water running.
6. Before heating, check that the exhaust pipe (4) is secure.
7. Now build a strong fire in the combustion chamber (3a), using thin logs (1-5 cm in diameter), as you want to create lots of flames to heat the water quickly.
  - Tips:
    - Place finely chopped wood and, if necessary, some paper in the combustion chamber.
    - Light the fire using a firelighter. Caution: do not use liquid firelighters!
    - Only heat the stove with natural, dry wood (with a maximum residual moisture content of 20%). Coal or whole briquettes are not permitted. This is the only way to ensure low-smoke and trouble-free operation.
    - Build a strong fire and add small logs regularly.
  - Notes:
    - The stove will have a lower heating output, especially the first 2-3 times (as it condenses more at the beginning). After about the 3rd or 4th time it is lit, the stove will be able to deliver the desired output!
    - Caution: the top of the wood-fired instantaneous water heater becomes warm and can reach temperatures of up to 99 °C!
8. After just 3 to 5 minutes of heating, you can Outdoor-Shower with warm water. To do this, set the mixing valve (3g) to your desired Outdoor-Shower temperature (e.g. 37 °C) and let the water flow from the Outdoor-Shower.

9. Temperature control: The water temperature for Outdoor-Showering is determined by several parameters: water temperature when running the Outdoor-Shower, wood quality, water pressure/flow rate. After playing around with the fire and water for a while, you will have figured out how to best operate your Outdoor-Shower to achieve your optimal Outdoor-Shower temperature.

10. After Outdoor-Showering, let the fire burn out and only when no embers are visible can you remove the garden hose from the click valve and then open the red valve or Outdoor-Shower head. This allows the water to drain completely from the cavity and pipes. Check that the remaining water drains away via the click valve.

## 6. Safety measures

The Feuerwasser Outdoor-Shower is a wood-fired instantaneous water heater, which means that the Outdoor-Shower is permanently supplied with fresh/cold water from the mains, which is under a pressure of approx. 2-4 bar. Some of this water is heated by the fire in the double wall around the wood-fired instantaneous water heater.

At this point, a thermal relief valve checks the temperature and ensures that it does not rise above 100°C. If the water temperature exceeds 99°C, the thermal safety valve opens automatically and allows hot water to escape from the system via the short hose located in the base. Cold water automatically flows in from the tap, regulating the temperature back down.

This safety precaution is important to ensure that the Outdoor-Shower can be used safely. It is important that you make sure that all users understand how the thermal relief valve works and that you ensure that no one burns themselves on the hot water. The water flows slowly and in a controlled manner through the opening in the base, cooling down both inside the base and on the concrete floor, but it can still be uncomfortably hot. So be careful not to step into the hot water or balance it out with cold water beforehand.

There is also an additional pressure relief valve as a second safety valve. This is a further safety precaution that activates if the thermal safety valve fails to function.

## 7. Maintenance

Proper operation, appropriate use and good maintenance will increase the service life of your Feuerwasser Outdoor-Shower.

- To clean the stainless steel Outdoor-Shower, we recommend a conventional stainless steel cleaner or simply a mixture of soap and water.
- Cleaning should be done with a soft cloth or sponge.
- Never use abrasive sponges, steel wool, scouring agents or aggressive cleaning agents. Do not use cleaning agents containing hydrochloric acid or chloride, as these will damage the stainless steel.
- Care oils for stainless steel can be used for further surface treatment.
- The stove should be emptied after each use.
- Check the screws and brackets once a year and tighten them if necessary.
- Remove soot from the inside walls of the stove as needed to ensure efficient heating performance.

## 8. Notes, warranty & liability

### **A) Notes**

#### **Unpacking and checking**

After unpacking and setting up, check that the Feuerwasser Outdoor-Shower has not been damaged during transport and that all accessories have been delivered. If this is not the case, please contact us directly at: [info@feuerwasser.co](mailto:info@feuerwasser.co).

#### **Before first use**

Clean the Outdoor-Shower with clear water before first use to remove any contamination that may have occurred during production or delivery.

#### **Telephone support**

We are happy to assist you by telephone. If you have any questions, please call us on +43 677 63 43 52 75.

#### **Heating capacity of the stove**

The stove will not reach its full heating capacity the first few times it is used. It will heat efficiently after the third or fourth use. Please light the stove as described in this operating manual and be patient, as proper heating requires practice.

#### **Tightness**

All components have been tested and checked for tightness!

#### **Frost protection**

As the Feuerwasser Outdoor-Shower is located outdoors, it must always be completely drained of water when not in use to prevent frost damage. To completely drain the Outdoor-Shower of water, follow these steps:



1. Remove the garden hose from the click valve.
2. Open the red lever.
3. Remove the Outdoor-Shower hose between the Outdoor-Shower head and the wooden instantaneous water heater.
4. Remove the thermometer mixing valve by turning the metal part (not the plastic part!) to the left with a pipe wrench.
5. Open the service water valve.

The entire wooden instantaneous water heater is now free of water and frost-proof.

### **Winter operation**

You are welcome to use the Outdoor-Shower in winter, but please ensure that all valves are open and the water heater is empty when not in use (see frost protection).

### **Prevention of surface rust and foreign rust**

Our stainless steel is very durable and of high quality. In rare cases, surface rust or foreign rust may accumulate on the stainless steel. These are rust particles from external sources (e.g. from a coin or metalwork nearby) that can settle on the surface of the stainless steel. If these surface stains are not removed, they can cause damage to the stainless steel. If stains are visible, they can usually be simply wiped away or removed with a rust remover. It is also essential to remove the sources of extraneous rust. It is also possible to use a stainless steel care oil, which forms a protective film on the stainless steel.

### **Disposal**

The Feuerwasser Outdoor-Shower is made from recyclable materials. If you want to dispose of the Feuerwasser Outdoor-Shower yourself, take the metal components to a scrap metal dealer, as it is valuable and recyclable metal and you will be reimbursed for its value. Even better: contact us and we will buy the Outdoor-Shower back from you.

### **B) Warranty**

Feuerwasser spas and accessories come with a two-year statutory warranty from the date of purchase.

### **C) Liability**

Feuerwasser is not liable for incidental, consequential or special costs, indirect costs, fines or damages. Under no circumstances can Feuerwasser be held responsible for personal injury or damage to property, however caused.



We cannot accept liability for printing errors or changes.