



# Outdoor-Bathtub by Feuerwasser

User Manual  
**Englisch**



OWN THE WILD  
[feuerwasser.co](http://feuerwasser.co)

Thank you for choosing our sustainable outdoor bathtub with stainless steel inner tub!

**We wish you pleasant relaxation!**

## **Contents of the instruction manual**

<b>1. GENERAL INFORMATION</b> .....	<b>1</b>
<b>2. WARNINGS &amp; SAFETY INSTRUCTIONS</b> .....	<b>3</b>
A) GENERAL INFORMATION .....	3
B) RISK OF BURNS.....	4
C) BATHING WITH CHILDREN.....	4
<b>3. SPECIFICATIONS &amp; PRODUCT DESCRIPTION</b> .....	<b>5</b>
A) SPECIFICATIONS .....	5
B) PRODUCT DESCRIPTION .....	6
<b>4. ASSEMBLY</b> .....	<b>8</b>
A) PREPARATIONS .....	8
B) ASSEMBLY .....	9
<b>5. INSTRUCTION MANUAL</b> .....	<b>9</b>
A) BEFORE BATHING .....	9
B) HEATING .....	9
C) BATHING .....	10
D) AFTER BATHING .....	10
<b>6. MAINTENANCE</b> .....	<b>11</b>
A) MAINTENANCE OF THE WOODEN TUB.....	11
B) MAINTENANCE OF THE INNER TUB .....	11
C) MAINTENANCE OF THE INTERNAL WOOD STOVE.....	11
<b>7. NOTES, WARRANTY &amp; LIABILITY</b> .....	<b>12</b>
A) NOTES .....	12
B) WARRANTY.....	13
C) LIABILITY.....	13

# **1. General Information**



This instruction manual informs you, among other things, about the safety instructions, functionality, and maintenance of your Feuerwasser Outdoor-Bathtub. Please read it carefully and keep it.

If you have any questions, please contact us directly:

**Feuerwasser**

Garanaser Straße 6

8541 Bad Schwanberg

**Tel.:** +43 677 63435275

**E-Mail:** info@feuerwasser.co

Feuerwasser reserves the right to change construction, design, functionality or additional equipment without prior notice in order to increase the technical level or quality of the products.

Wood is a natural product, therefore color deviations and changes are normal and no reason for complaint.

**Feuerwasser Outdoor-Bathtub**

Delivery date: \_\_\_\_\_

The tub has been set up by \_\_\_\_\_ on the \_\_\_\_\_.

**Scope of delivery for standard equipment**

- Feuerwasser Outdoor-Bathtub
- Two backrests (incl. 4 x Feuerwasser rotating fixation)
- Removable table
- Attachable exhaust pipe
- Oven grate

**Optional additional equipment**

- Tarpaulin
- Candle holder
- Drink holder
- Paddle with thermometer
- You will find further additional equipment on our homepage:  
**feuerwasser.co**

**Intended use**

Feuerwasser products may only be used as intended! This also includes compliance with the assembly, operation and maintenance instructions required by Feuerwasser. In the event of improper use or unauthorized modifications to Feuerwasser products, the manufacturer is not liable for the resulting damage. The risk is borne solely by the user.

Please read the entire instruction manual before using the product, pay particular attention to the warnings and safety instructions!

## 2. Warnings & Safety Instructions

Please read and follow all warnings and safety instructions and pass them on to all other users.

### A) General Information

Attention, especially on the wet surfaces there is a **risk of slipping and falling**. Be careful when getting into or out of the Feuerwasser Outdoor-Bathtub. Hold on tightly to the edge of the tub.

The **consumption of drugs or alcohol abuse** before or during bathing in the Feuerwasser Outdoor-Bathtub is prohibited, as it can lead to difficulties of perception and coordination and, in extreme cases, to loss of consciousness and drowning.

**Persons taking medication should consult a doctor** before using the Feuerwasser spa, as bathing in warm water can lead to an increase in unwanted side effects. Some medications can cause dizziness, altered heart rate, blood pressure or circulation problems and, in extreme cases, loss of consciousness and drowning.

**Pregnant women and persons with chronic diseases** should consult their doctor before use. Persons who are prone to dizziness or have a cardiovascular disease should use the Feuerwasser Outdoor-Bathtub only with special caution and in company.

**Persons with contagious diseases** should not use the Feuerwasser Outdoor-Bathtub.

Bathing in the Feuerwasser Outdoor-Bathtub is not recommended for **elderly people** who are sensitive to high temperatures.

**Babies and toddlers are not allowed** to bathe in the Feuerwasser spas.

In **case of thunderstorms**, bathing is not permitted.



Do not use the Feuerwasser Outdoor-Bathtub if you have open **wounds, eye problems or burns**.

Do not use the Feuerwasser Outdoor-Bathtub immediately after physically demanding activities.

Do not take **animals** into the Feuerwasser Outdoor-Bathtub.

Only use original Feuerwasser parts, spare parts and accessories! Unauthorized changes to the product are not permitted!

Carry out the assembly according to the assembly instructions!

Use the Feuerwasser Outdoor-Bathtub only as described in the instruction manual!

**Caution, the users can drown!**

**Make sure that you are fully conscious when bathing, have an intact health and unaffected by drugs, medication, etc.**

## **B) Risk Of Burns**

When setting up the tub, make sure that **there is sufficient distance** to combustible components and materials in the environment!

**Children, persons with disabilities or other impaired persons** (alcohol, drugs, etc.) are not permitted to heat the wood stove.

Do not place **combustible objects** near the wood stove, on or around the exhaust pipe!

Caution, during heating all surfaces of the wood stove, especially the door, can **become very hot!** Make people, children and animals aware of this and make sure that no one burns themselves on them. Use a protective glove or an auxiliary tool.

**Children and adolescents under the age of 16** are not allowed to operate the stove without the supervision of legal guardians!

Make sure that you do not have any **easily flammable objects** on your body or near the stove door when lighting or adding wood! Fire hazard!

Making alterations to the wood stove is not allowed. Please comply with the instruction manual.

**Caution, the users can burn themselves! There is a risk of fire if handled improperly!**

## **C) Bathing With Children**



Caution, **children may drown!** Never let children bathe unattended in the Feuerwasser Outdoor-Bathtub. For children, use **swimming aids such as arm floats, floating tires, seats, etc.**

Caution, children are particularly sensitive to **hot water**. Therefore, make sure that the water temperature is not too high! Check the water temperature with a water thermometer! It should be below 37 °C!

Children can slip on wet surfaces **and get injured!** Therefore, never let children get in or out of the Feuerwasser Outdoor-Bathtub unattended!

The Feuerwasser Spa is not intended for climbing, jumping, sliding, etc.!

Let children use the Feuerwasser spa only under **constant supervision**.  
Caution, children can **get burned!**

**Caution, children must never use the spa unsupervised, there is a risk of injury, drowning and burns!**

## 3. Specifications & Product Description

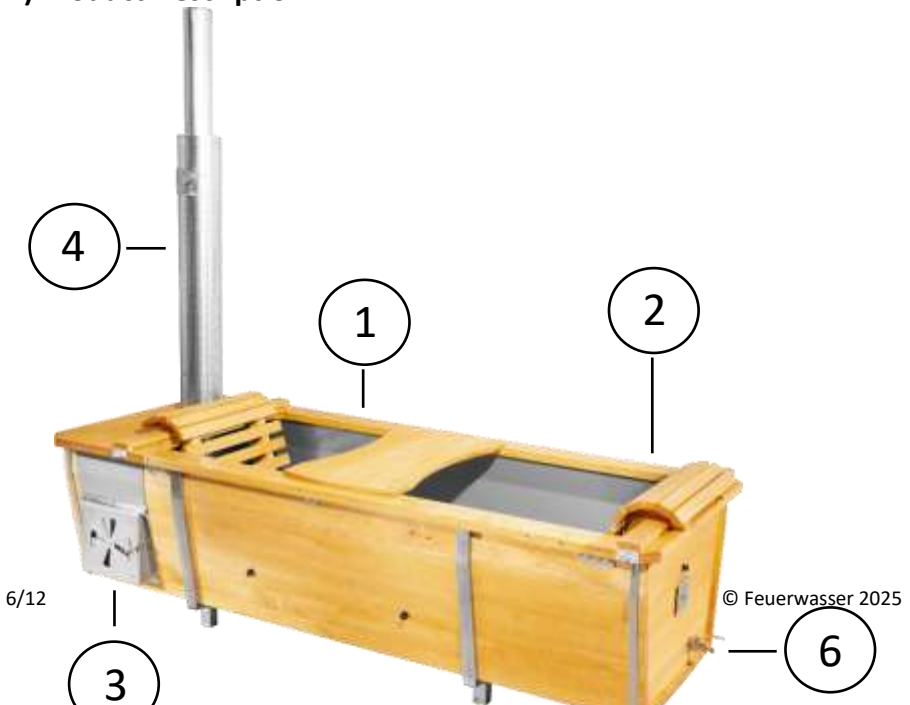
### A) Specifications

**Feuerwasser Outdoor-Bathtub dimensions**

Length	215 cm
Width	85 cm
Height	55 cm
Empty weight	120 kg
Water Capacity	300 litres
Heating time	45 to 70 minutes
Number of people	2

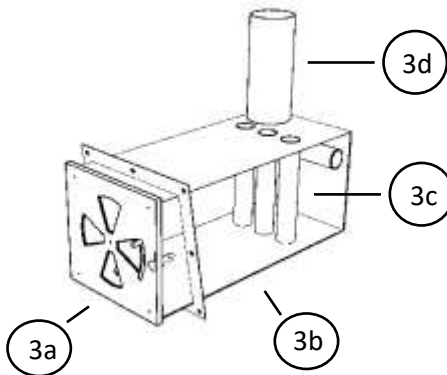
**Used Material**

Inner tub	Stainless steel V4A
Wood cladding	Pine
Internal wood stove	Stainless steel V4A
Exhaust pipe (1,5 m)	Stainless steel with aluminium heat protection
Substructure	Stainless steel shaped tube
Backrests (2 pieces)	Pine, adjustable
Table	Pine, removable

**B) Product Description**


<b>Number</b>	<b>Description</b>
1	Feuerwasser Outdoor-Bathtub
2	Tub edge
3	Internal wood stove
4	Exhaust pipe with heat protection
5	Tub feet
6	Ball valve
7	drain

### Internal wood stove (3)



Number	Description
3a	Door with draft regulation
3b	Heating chamber
3c	Heat exchanger tubes
3d	Exhaust pipe opening

## 4. Assembly

### A) Preparations

1. Select a horizontal location. It must carry at least 600 kg (i.e.: 120 kg tub, 300 kg of water and the weight of the persons bathing).
2. Prepare a solid ground for the Feuerwasser Outdoor-Bathtub, such as stone or washed concrete slabs, so that the filled tub does not sink in.
3. It is recommended to wear clean cotton gloves when setting up the Feuerwasser Outdoor-Bathtub. This way you avoid fingerprints on the stainless steel, which are difficult to remove later with soap and water.
4. When setting up the tub, make sure that there is sufficient distance to combustible components and materials in the vicinity! There should be at least one meter of clear space around the wood stove. The exhaust pipe must remain free on the top so that any flying sparks can escape safely.
5. When setting up the tub, the national and European standards, the local laws and the building and fire regulations must be observed.
6. Install a garden hose to the ball valve (6).
7. After bathing you can drain most of the water through this garden hose. So you can use it for watering the garden or put it directly into the water channel. To drain the remaining water or the total water amount you have these possibilities:
  - Prepare a suitable drainage for the water under the drain (7).
  - Assemble a drain installation to the drain, assemble a garden hose (1 zoll) and lead the water directly to the nearest water channel.

You can combine these possibilities and please prepare everything beforehand.

## B) Assembly

Place the Feuerwasser Outdoor-Bathtub (1) horizontally on the prepared place. Make sure the four tub feet (5) are placed on the slabs.

# 5. Instruction Manual

## A) Before Bathing

1. Check the safe position of the Feuerwasser Outdoor-Bathtub (1).
2. If necessary, remove the tarpaulin.
3. Put the exhaust pipe (4) onto the exhaust pipe opening of the internal wood stove (3d).
4. Check all seals and brackets, tighten them if necessary!
5. Make sure that the heating chamber of the internal wood stove (3b) is cleared and dry before heating.
6. Connect a garden hose to the ball valve (6).
7. Make sure the inner tub is clean or clean it if necessary.
8. Close the drain at the bottom of the tub (under the backrest) with the supplied plug.
9. Fill the Feuerwasser Outdoor-Bathtub with clean water.
10. **Wait until the internal wood stove is completely covered by water (duration about 10-15 minutes), only now the stove is ready for lighting the fire.**

## B) Heating

1. Put thinly chopped wood and, if necessary, some paper in the combustion chamber.
2. **Caution! Before lighting the fire, the water level and the fixed positioning of the exhaust pipe must be checked. The stove must never be heated without being completely surrounded by water.**
3. Light the fire with the help of a barbecue lighter. Caution do not use any liquid ignition aids!
4. Heat the Feuerwasser stove only with natural, dry wood (with a maximum residual moisture content of 20 %). Coal or whole briquettes are not permitted. Only then smoke can be reduced, and a smooth operation guaranteed.

### IMPORTANT

- Only use small logs (max. 5 cm thick) or small pieces of a briquette!
- Light the fire in the back of the heating chamber (3b), so that the water in the tubes (3c) can be heated well by the flames!
- Ensure that the fire has **enough air** by turning the draft regulation at the door (3a) and thus increasing the air supply!
- After each heating and bathing, remove the **old, cold ash** from the stove and make sure the pipes are clear.

- Please note: Especially the **first few times the stove will have a weaker heating output**. From about the 3rd/4th time firing, the stove will be able to provide its desired performance!
5. Make a strong fire, regularly add small logs.
  6. You can regulate the air supply by turning the stove door (3a).
  7. Mix the differently warm water layers about every 15 minutes.
  8. Fire the stove until the water has almost reached your individually desired temperature. Keep in mind that the embers in the stove keep heating. Depending on the used wood and heating technique, heating will take 45 to 75 minutes.

## C) Bathing

1. Before each bath, make sure that the water temperature is comfortable for you.
2. We recommend taking a shower before bathing in the Feuerwasser Outdoor-Bathtub.
3. When getting in and out of the tub, pay attention to slippery surfaces, hold on tightly to the edge of the tub (2) so that you do not injure yourself.
4. Read the warnings and safety instructions!
5. If the water has become too warm, you can reduce the temperature with fresh cold water. If the water is not yet warm enough, keep firing the stove.
6. Now enjoy luxurious relaxation in the Feuerwasser Outdoor-Bathtub.

## D) After Bathing

1. Wait until there are no more embers in the stove before draining the water so that the stove does not suffer any damage (e.g. deformation due to heat).
2. Open the ball valve and direct the water directly into the sewer with the help of the connected garden hose. You can also use it to water your garden, lawn or flowers. Some water will remain in the tub, empty it by removing the plug.
3. Remove the exhaust pipe and other accessories (tables, backrests, drink holders, ...).
4. Remove the ash from the stove with the help of an ash shovel.
5. Wait until the Feuerwasser Outdoor-Bathtub is completely empty.
6. Clean the tub and the outside of the internal wood stove with water, also use a disinfectant if necessary.
7. Keep the tub well dry to prevent bacteria and mold from growing.
8. If you have a tarpaulin, place it on the clean and dry tub and fix it on the edge of the tub. Use the table under the tarpaulin as support.

### IMPORTANT

Please always keep the ball valve open in winter when the tub is not in use! This is important because otherwise water will be trapped in the hollow ball of the valve, the cold temperatures will cause the water to expand, and this can break the ball valve!

## 6. Maintenance

Through proper operation, appropriate use and good maintenance, you can prolong the life of your Feuerwasser Outdoor-Bathtub. This saves valuable resources and protects the environment.

**Protect your Feuerwasser spa from external influences with the matching Feuerwasser tarpaulin. Make sure that the tub is clean and completely dry before covering!**

### A) Maintenance Of the Wooden Tub

- The wooden boards should be surface treated about once a year.
- Once a year, check the screws, brackets, ball valve and drain and tighten them if necessary.
- Due to colder temperatures, the wood can shrink and thus create a space between the tub and the stove. Water could leak or drip there or could converge under the wood cladding and leak out in another place. This is easy to solve: Please use an Allen key to tighten the screws of the stove.

### B) Maintenance Of the Inner Tub

- For cleaning the stainless-steel inner tub, we recommend a conventional stainless-steel cleanser or simply a water-soap-mixture.
- Cleaning should be done with a soft cloth or sponge.
- Never use scratching sponges, steel wool, abrasives or aggressive cleansing agents. Do not use cleansing agents containing hydrochloric acid or chlorine, these damage the stainless steel.
- Afterwards rinse the inner tub with clear water.
- For further surface treatment, care oils for stainless steel can be used.

### C) Maintenance Of the Internal Wood Stove

- The stove should be cleared out after each use. It is easy to remove the ash with the help of an ash shovel.
- Check the screws and brackets once a year and tighten them if necessary.
- Remove the soot from the inside walls of the stove, if necessary, to ensure an efficient heating performance.

## 7. Notes, Warranty & Liability

### A) Notes

#### **Unpacking and examining**

After unpacking and setting up, check that the Feuerwasser Outdoor-Bathtub has no transport damage and that all accessories have been supplied. If this is not the case, please contact us directly: [info@feuerwasser.co](mailto:info@feuerwasser.co)

#### **Before first use**

Clean the tub with clear water before first use to remove any possible production- or delivery-related traces.

#### **Telephone support**

We are happy to assist you by phone. You can reach us at +43 677 634 352 75.

#### **Heating performance of the stove**

Especially the first few times the stove will have a weaker heating output. From the 3rd/4th use the stove will heat more efficiently. Please fire the stove as described in this instruction manual and be patient as heating must be practiced.

#### **Leak proofness**

All components have been tested and checked for leaks! If the tub leaks, it is probably due to a screw that has come loose due to cold or vibration effects. You can simply tighten it with an Allen key.

#### **Water**

Use fresh, clean water for each bath. Shower before each use to keep the water as clean as possible.

#### **Saving water and resources**

After bathing, use the water for your garden. You can use the ash as a mineral fertilizer for your plant beds, hedges and flowers.

#### **Frost resistance**

Since the Feuerwasser Outdoor-Bathtub is outdoors, it must always be completely emptied of water in times of non-use so that no frost damage occurs. We also recommend that you remove the garden hose from the ball valve in winter. Please always keep the ball valve open in winter when the tub is not in use! This is important because otherwise water will be trapped in the hollow ball of the valve, the cold temperatures will cause the water to expand, and the ball valve may break!

### **Avoidance of flying or foreign rust**

Our stainless steel is very durable and of high quality. In rare cases, it may happen that flying or foreign rust attaches to the stainless steel. These are rust particles from foreign sources (e.g. from a coin or from metalwork nearby), which can settle on the surface of the stainless steel. If these stains on the surface are not removed, damage to the stainless steel can be caused. If stains are visible, they can usually be simply wiped away or a rust remover can be used. You should also make sure to remove the foreign sources of rust. It is also possible to use a stainless-steel care oil, which forms a protective film on the stainless steel.

### **Disposal**

The Feuerwasser Outdoor-Bathtub was made of recyclable materials. If you want to dispose of the Feuerwasser Outdoor-Bathtub yourself, simply disassemble it into the original components. Wood and metal remain. You can use the wood for heating. The metal components can be brought to the metal wholesaler. Since it is valuable and recyclable, you will be compensated for the value.

## **B) Warranty**

There is a two-year legal warranty from the date of purchase for Feuerwasser products.

## **C) Liability**

Feuerwasser is not liable for ancillary, consequential and special costs, indirect costs, fines or compensation payments. Under no circumstances can Feuerwasser be held responsible for injury to persons or damage to property, however it may have occurred.

**We cannot accept any liability for printing errors and changes.**